

19264B

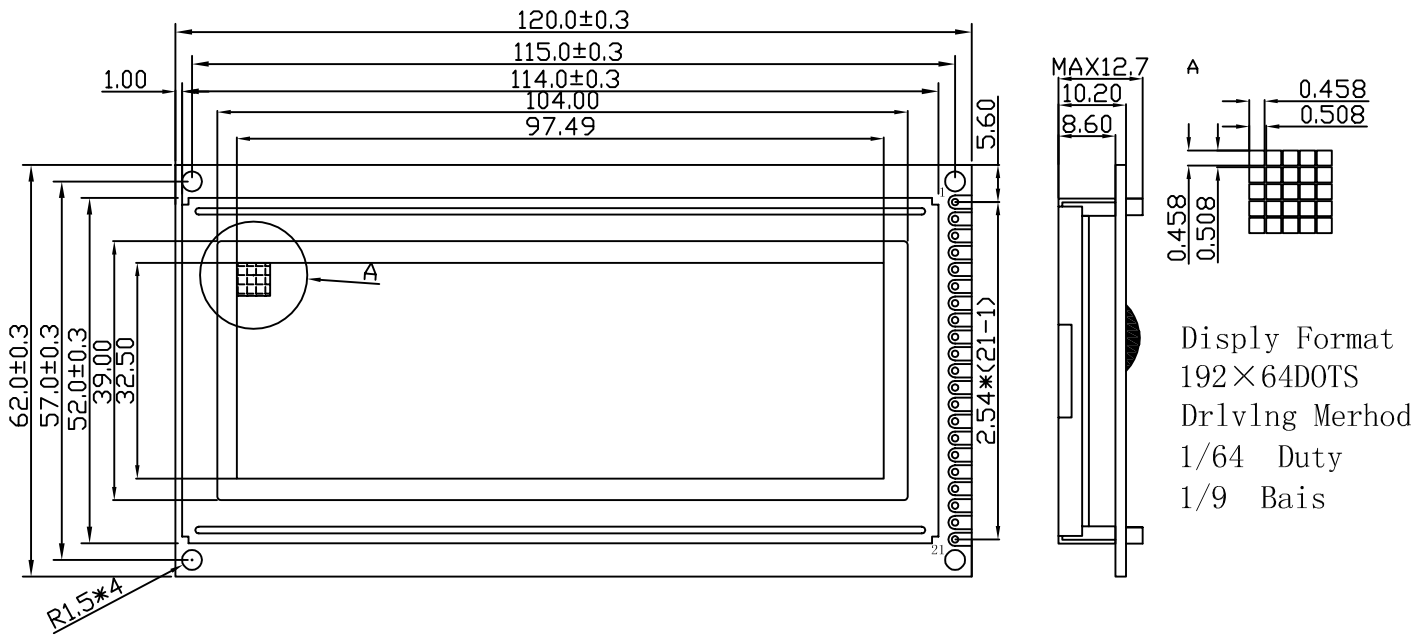
深圳市新显科技有限公司

电话: 0755-6139 3659

邮箱: szxslcd@163.com

地址: 深圳市宝安区西乡劳动路华丰第二工业区 8 栋

① PHYSICAL DIMENSION/外型尺寸

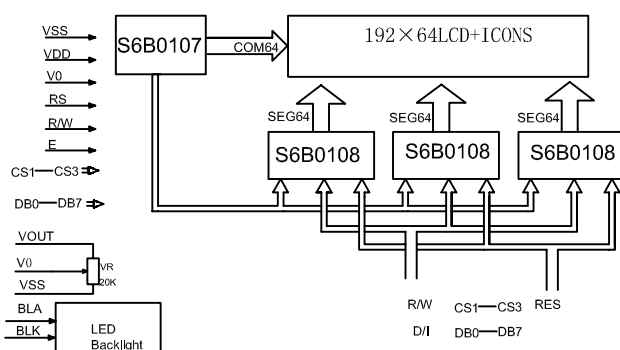


② FEATURES/特征

Feature(特征)	UNIT(单位)
LCD type & Colour(类型及颜色)	STN Yellow-green ;STN Blue
Vlew Angle(视角)	6 0' clock
Operating temperature(工作温度)	-20℃ ---- 70℃
Storage Temperature(贮存温度)	-30℃ ---- 80℃
Control IC & Package(控制芯片及封装)	S6B0107 , COB
Weight(重量)	101 (With B/L)
Backlight(背光类型)	LED

Ta=25℃		MIN(最小)	TYP(典型)	MAX(最大)	UNIT(单位)
Supply current don't contain backlight(无背光时电流)		0	9.2		mA
VDD(电源)		-0.3	3.0	5.0	5.5
VLCD-V0(LCD驱动电压)		0	-4.7		V
Backlight LED (背光电压,电流)	側背光	0	3.0	5.0	5.0
		0	75	75	
	底背光	0		5.0	5.5
		0		180	

④ BLOCK DIAGRAM/原理电路



③ PIN CONFIGURATION/管脚说明

PIN	SYMBOL	DESCRIPTION(定义描述)		
1	VSS	Power ground (地)		
2	VDD	Power positive (逻辑电压)		
3	V0	Operating voltage for LCD Driver(对比度调节)		
4	VOUT	Negative voltage output (负压输出)		
5	RS	H: Data (数据) L: Instruction (指令)		
6	RW	H: Read data (读数据) L: Write data (写数据)		
7	E	Enable single (使能, 下降沿有效)		
8	DB0	Data bus [0~7]. There state I/O common terminal. (数据线0-7)		
15			DB7	
16			CS1	Chip select active-low (片选1, 低电平有效)
17			CS2	Chip select active-low (片选2, 低电平有效)
18			CS3	Chip select active-low (片选3, 低电平有效)
19			RST	Reset active-low (复位, 低电平有效)
20			LEDA	Power supply for backlight (+) (背光正极)
21			LEDK	Power supply for backlight (-) (背光负极)

⑤ ELUCIDATION/补充备注

