

19264A

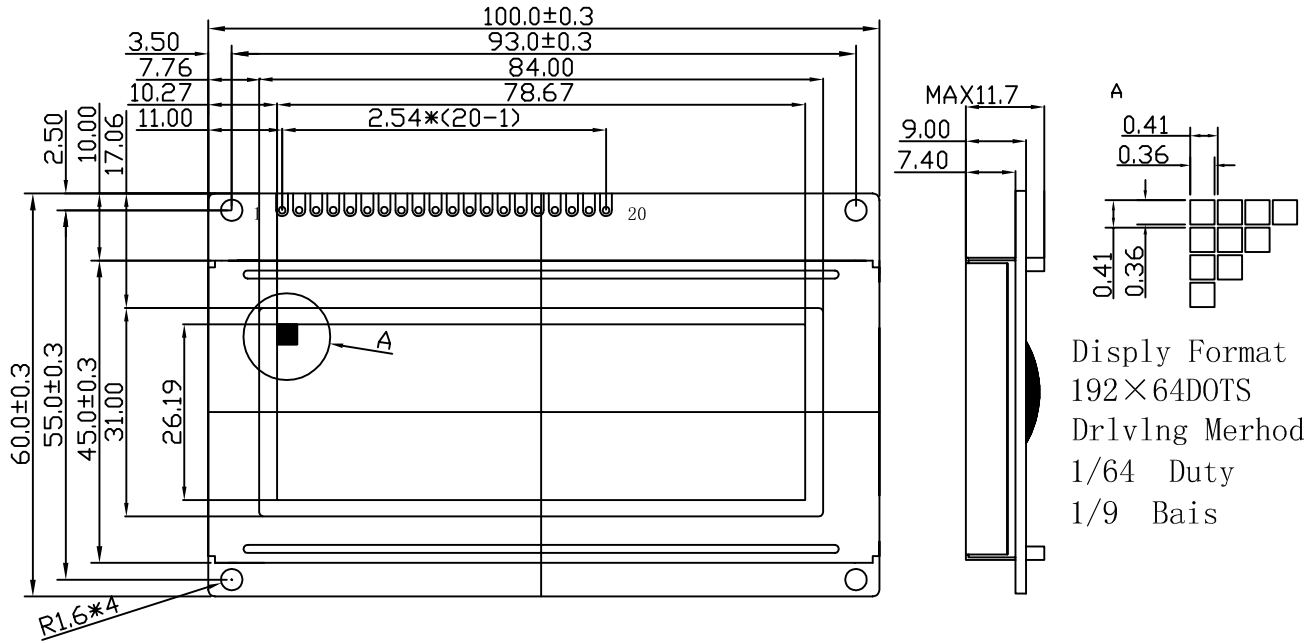
深圳市新显科技有限公司

电话: 0755-6139 3659

邮箱: szxslcd@163.com

地址: 深圳市宝安区西乡劳动路华丰第二工业区 8 栋

① PHYSICAL DIMENSION/外型尺寸

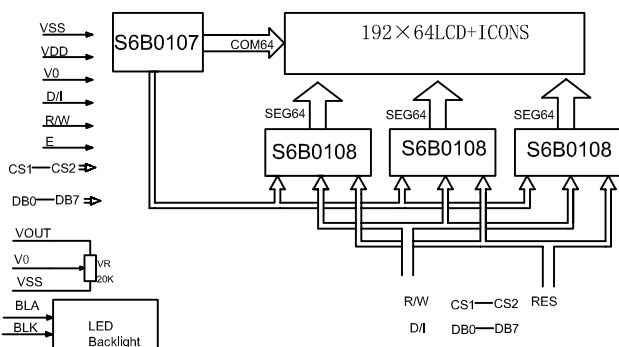


② FEATURES/特征

Feature(特征)	UNIT(单位)
LCD type & Colour(类型及颜色)	STN Yellow-green ;STN Blue
View Angle(视角)	6 0' clock
Operating temperature(工作温度)	-20℃ ---- 70℃
Storage Temperature(贮存温度)	-30℃ ---- 80℃
Control IC & Package(控制芯片及封装)	S6B0107 , COB
Weight(重量)	73 (With B/L)
Backlight(背光类型)	LED

Ta=25℃		MIN(最小)	TYP(典型)	MAX(最大)	UNIT(单位)
Supply current don't contain backlight(无背光时电流)		0	9.2		mA
VDD(电源)		-0.3	3.0	5.0	5.5
VLCD-V0(LCD驱动电压)		0		-6.8	V
Backlight LED (背光电压,电流)	側背光	0	3.0	5.0	5.0
	底背光	0	75	75	mA
		0		5.0	5.5
		0		180	mA

④ BLOCK DIAGRAM/原理电路



③ PIN CONFIGURATION/管脚说明

PIN	SYMBOL	DESCRIPTION(定义描述)	
1	DB7	Data bus [0~7]. There state I/O common terminal. (数据线0-7)	
8	DB0		
9	E		Enable trigger. (使能, 下降沿有效)
10	RW		H: Read data(读数据) L: Write data(写数据)
11	RS		H:Data (数据) L: Instruction (指令)
12	V0		Operating voltage for LCD Driver (对比度调节)
13	VDD		Power positive (逻辑电压)
14	VSS		Power ground (地)
15	CS2	Chip select active-low (片选2, 低电平有效)	
16	CS1	Chip select active-low (片选1, 低电平有效)	
17	VOOUT	Negative voltage output (负压输出)	
18	RST	Reset Signal (复位)	
19	BLA	Power supply for backlight(+) (背光正极)	
20	BLK	Power supply for backlight(-) (背光负极)	

⑤ ELUCIDATION/补充备注

--