

# C1601A

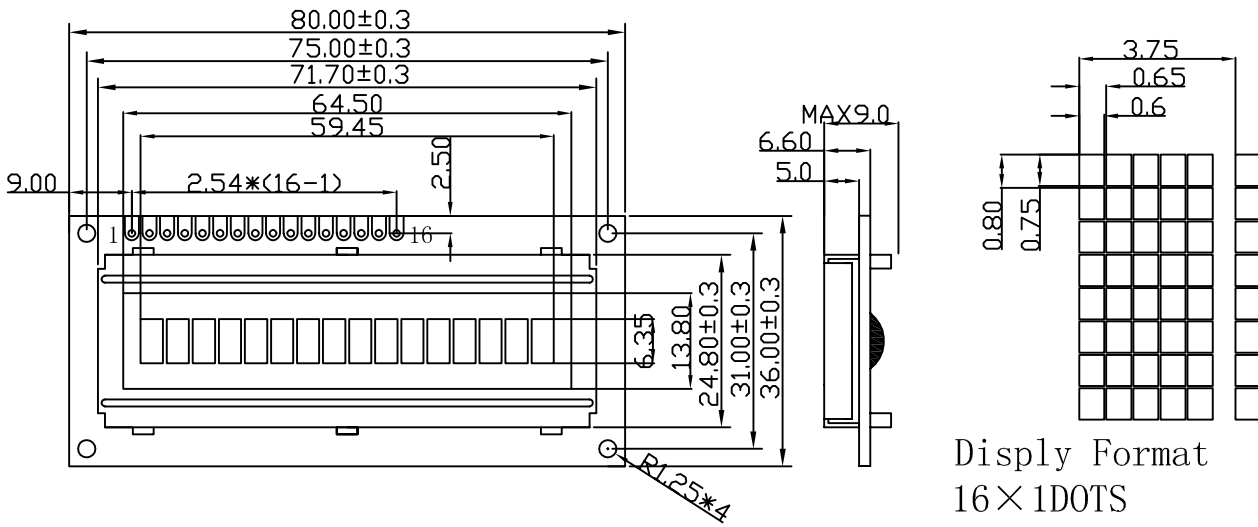
深圳市新显科技有限公司

电话: 0755-6139 3659

邮箱: szxslcd@163.com

地址: 深圳市宝安区西乡劳动路华丰第二工业区 8 栋

## ① PHYSICAL DIMENSION/外型尺寸



Display Format  
16×1DOTS  
Driving Method  
1/8 Duty  
1/5 Bias

## ② FEATURES/特征

| Feature(特征)                   |                            | UNIT(单位) |
|-------------------------------|----------------------------|----------|
| LCD type & Colour(类型及颜色)      | STN Yellow-green ;STN Blue |          |
| View Angle(视角)                | 6 0' clock                 |          |
| Operating temperature(工作温度)   | -0℃ ---- 50℃               |          |
| Storage Temperature(贮存温度)     | -10℃ ---- 60℃              |          |
| Control IC & Package(控制芯片及封装) | S6A0069 , COB              |          |
| Weight(重量)                    | 21 (With B/L)              | g        |
| Backlight(背光类型)               | LED                        |          |

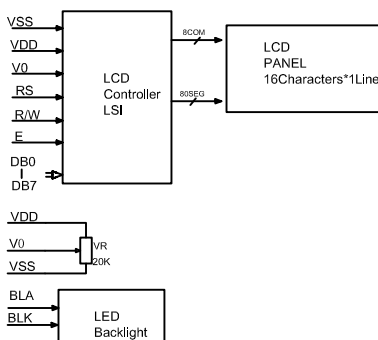
  

| Ta=25℃   |     | MIN(最小) | TYP(典型) | MAX(最大) | UNIT(单位) |
|--|-----|---------|---------|---------|----------|
| Supply current don't contain backlight(无背光时电流) |     |         | 4       |         | mA       |
| VDD(电源)  |     |         | 5.0     |         | V        |
| VLCD-V0(LCD驱动电压)                               |     |         | 5.0     |         | V        |
| Backlight LED<br>(背光电压,电流)                     | 侧背光 |         | 30      |         | mA       |
|  | 底背光 |         | 5.0     |         | V        |
|  |     |         | 120     |         | mA       |

## ③ PIN CONFIGURATION/管脚说明

| PIN | SYMBOL | DESCRIPTION(定义描述)  |
|-----|--------|--|
| 1   | VSS    | Power ground (地)   |
| 2   | VDD    | Power positive (逻辑电压)  |
| 3   | V0     | Operating voltage for LCD Driver(对比度调节)                      |
| 4   | RS     | H:Data(数据) L:Instruction (指令)                                |
| 5   | RW     | H:Read data(读数据) L:Write data(写数据)                           |
| 6   | E      | Enable single(使能,下降沿有效)                                      |
| 7   | DB0    | Data bus [0~7].<br>These state I/O common terminal. (数据线0-7) |
| 14  | DB7    |  |
| 15  | BLA/NC | Power supply for backlight(+)(背光正极/空脚)                       |
| 16  | BLK/NC | Power supply for backlight(-)(背光负极/空脚)                       |

## ④ BLOCK DIAGRAM/原理电路



## ⑤ ELUCIDATION/补充备注

|  |
|--|
|  |
|--|