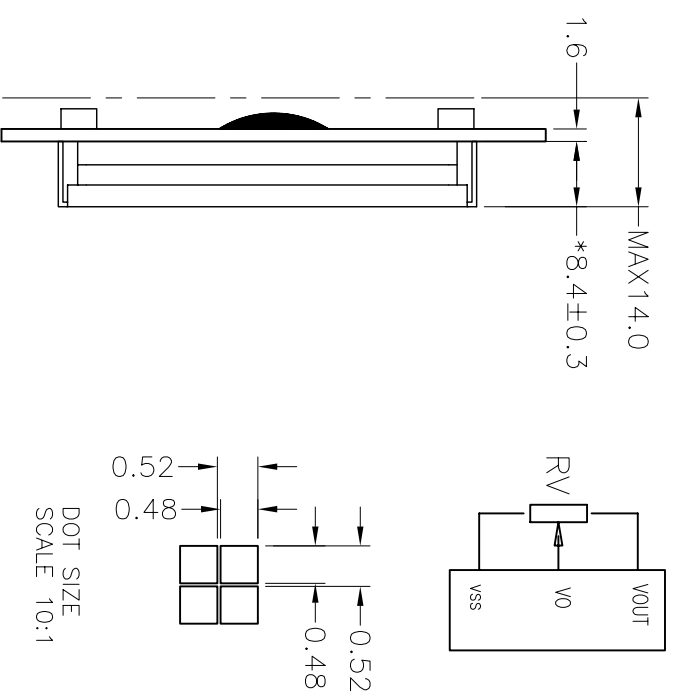
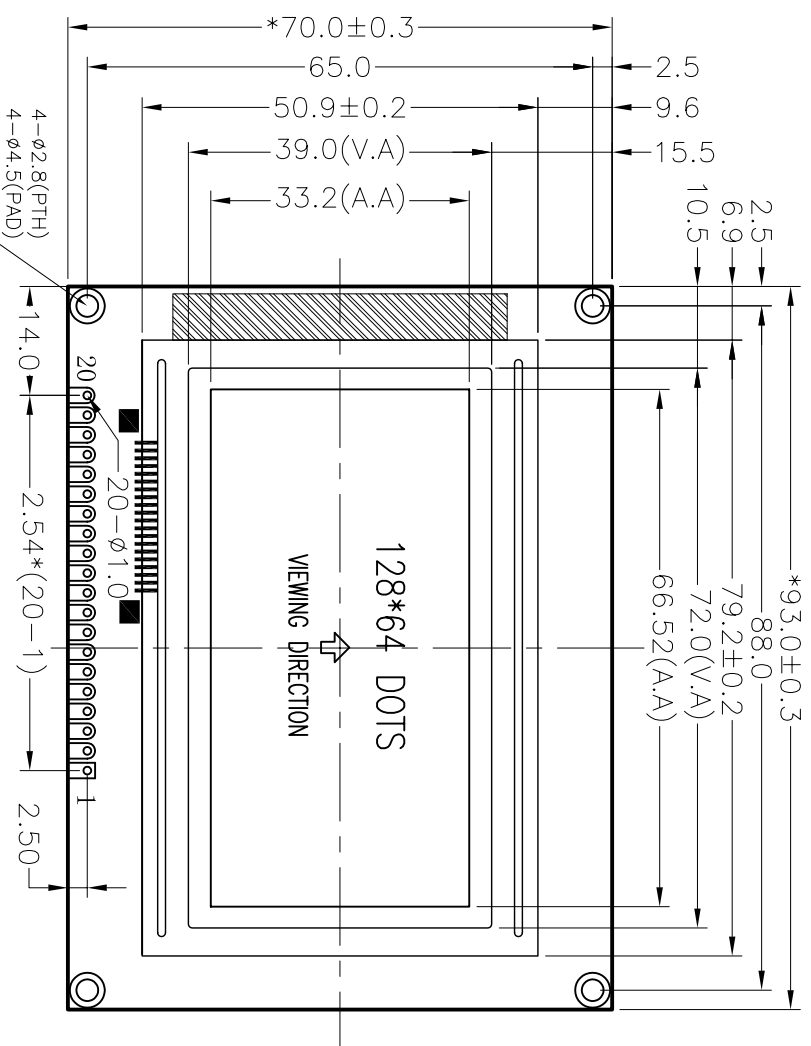


Customer approval :



SPECIFICATION:

- 1). Driving: Duty:1/64, Bias:1/9, Vo:4.9V, Vout:5.0or9.2V, Vdd:5.0V
- 2). Viewing angle: 6 0°Clock
- 3). Display mode: Stn(Yellow-Green),Positive,Transflective
- 4). Operating temp: -10°C~+60°C
- 5). Storage temp: -20°C~+70°C
- 6). Controller IC: ST7920 (or compatible)
- 7). Backlight: Edge(White), Vbld:5.0V,Vblk:0V Iled≤60mA
- 8). Dimensions with mark "()" are important, with mark "*" are referenced
- 9). All the raw materials are RoHS compliant

PSB=H 并口模式
PSB=L 串口模式

并口接口定义

PIN	1	2	3	4	5	6	7	8	9	10
CONNECTION	VSS	VDD	V0	RS	R/W	E	DB0	DB1	DB2	DB3
PIN	11	12	13	14	15	16	17	18	19	20
CONNECTION	DB4	DB5	DB6	DB7	PSB	/RST	Vout	BLA	BLK	BLK

串口接口定义

PIN	1	2	3	4	5	6	7	8	9	10
CONNECTION	VSS	VDD	V0	CS	SID	SCLK				
PIN	11	12	13	14	15	16	17	18	19	20
CONNECTION					PSB	/RST	Vout	BLA	BLK	BLK

REV	REVISION RECORD	DATE	MODEL NO. 模组型号	CHECKED BY 检查	DRAWING BY 绘图	GENERAL TOL: 公差	PAGE: 1 OF 1	UNIT: mm
A			SYB12864KSV10-5C11YLN2R-B5NG		Luoxian	未注公差		
B								
C								
D								

