

12864C

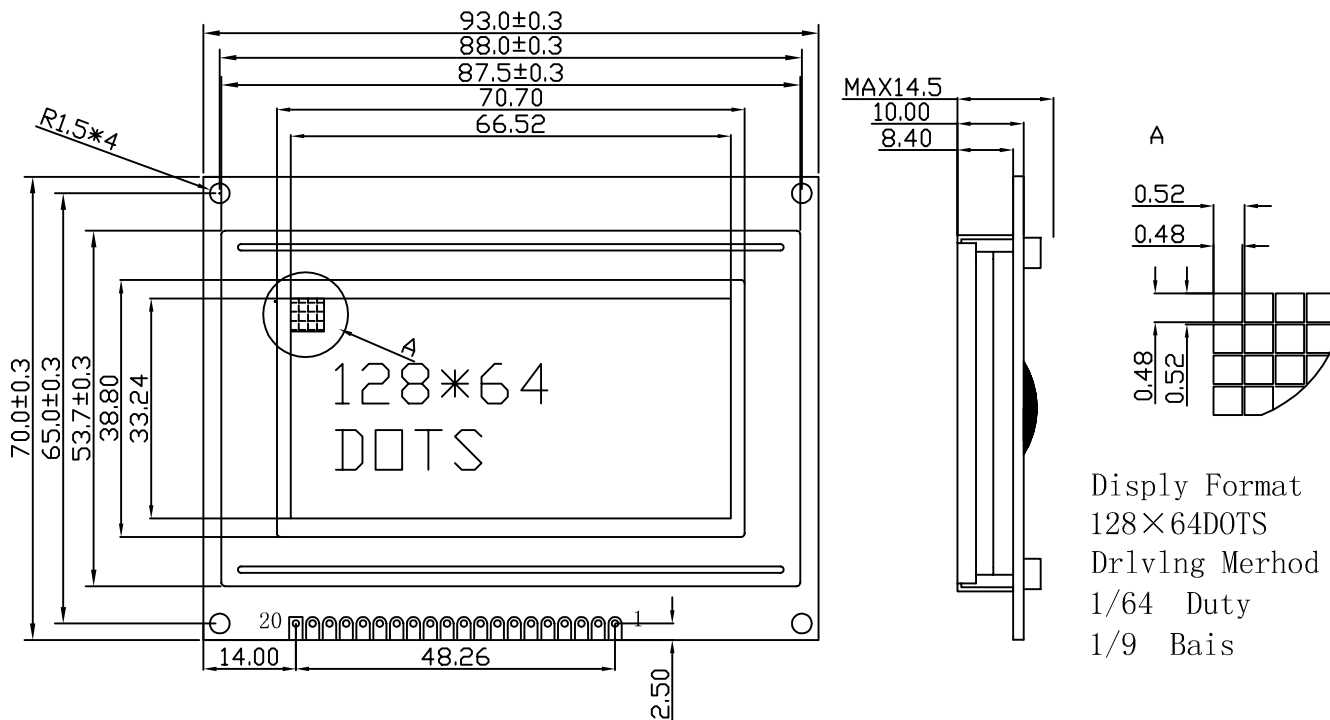
深圳市新显科技有限公司

电话: 0755-6139 3659

邮箱: szxslcd@163.com

地址: 深圳市宝安区西乡劳动路华丰第二工业区 8 栋

① PHYSICAL DIMENSION/外型尺寸

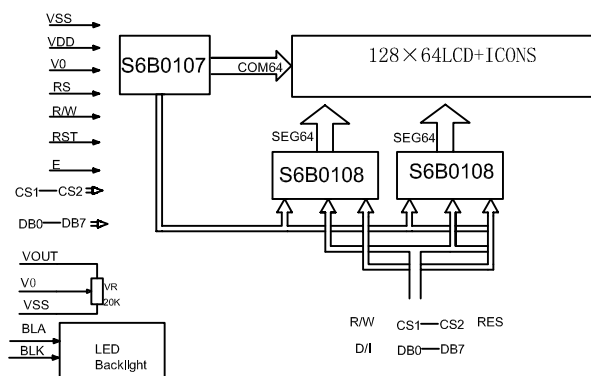


② FEATURES/特征

Feature(特征)	UNIT(单位)
LCD type & Colour(类型及颜色)	STN Yellow-green ;STN Blue
Vlew Angle(视角)	6 0' clock
Operating temperature(工作温度)	-20℃ ---- 70℃
Storage Temperature(贮存温度)	-30℃ ---- 80℃
Control IC & Package(控制芯片及封装)	S6B0107 , COB
Weight(重量)	83 (With B/L)
Backlight(背光类型)	LED

Ta=25℃		MIN(最小)	TYP(典型)	MAX(最大)	UNIT(单位)
Supply current don't contain backlight(无背光时电流)		0	9.2		mA
VDD(电源)		-0.3	5.0	5.5	V
VLCD-V0(LCD驱动电压)		0	-4.7		V
Backlight LED (背光电压,电流)	侧背光	0	5.0	5.0	V
	底背光	0	75		mA
		0	5.0	5.5	V
		0	180		mA

④ BLOCK DIAGRAM/原理电路



③ PIN CONFIGURATION/管脚说明

PIN	SYMBOL	DESCRIPTION(定义描述)
1	VSS	Power ground (地)
2	VDD	Power positive (逻辑电压)
3	V0	Operating voltage for LCD Driver (对比度调节)
4	RS	H:Data(数据) L:Instruction(指令)
5	RW	H:Read data(读数据) L:Write data(写数据)
6	E	Enable single (使能, 下降沿有效)
7	DB0	Data bus [0~7]. There state I/O common terminal. (数据线0-7)
14	DB7	
15	CS1	Chip select active-low (片选1, 低电平有效)
16	CS2	Chip select active-low (片选2, 低电平有效)
17	RST	Reset Signal active-low(复位, 低电平有效)
18	VOUT	Negative voltage output (负压输出)
19	BLA	Power supply for backlight(+)(背光正极)
20	BLK	Power supply for backlight(-)(背光负极)

⑤ ELUCIDATION/补充备注

--