

12832A

v1.0

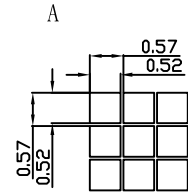
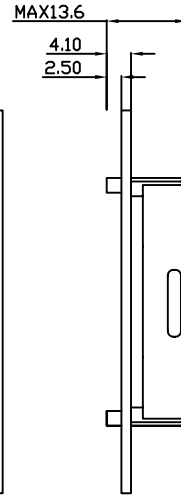
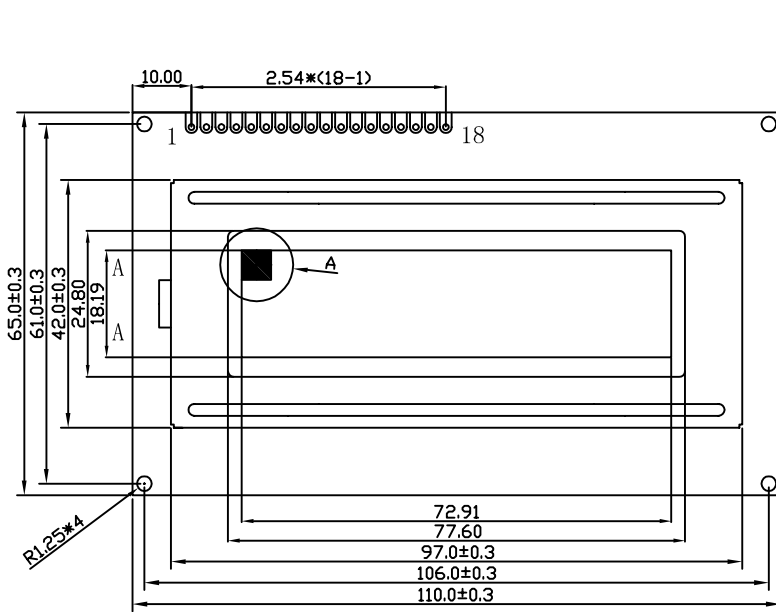
深圳市新显科技有限公司

电话: 0755-6139 3659

邮箱: szxslcd@163.com

地址: 深圳市宝安区西乡劳动路华丰第二工业区 8 栋

① PHYSICAL DIMENSION/外型尺寸



Display Format
128×32DOTS
Driving Method
1/32 Duty
1/6 Bias

② FEATURES/特征

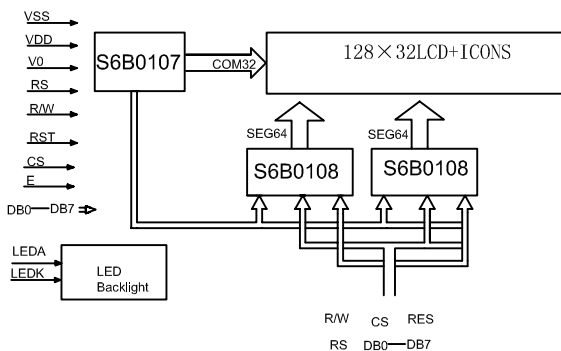
Feature(特征)	UNIT(单位)
LCD type & Colour(类型及颜色)	STN Yellow-green ;STN Blue
View Angle(视角)	6 0' clock
Operating temperature(工作温度)	-0℃ ---- 50℃
Storage Temperature(贮存温度)	-10℃ ---- 60℃
Control IC & Package(控制芯片及封装)	ST7920 , COB
Weight(重量)	42 (With B/L)
Backlight(背光类型)	LED

		Ta=25℃			UNIT(单位)
		MIN(最小)	TYP(典型)	MAX(最大)	
Supply current don't contain backlight(无背光时电流)		0	8		mA
VDD(电源)		-0.3	5.0	5.5	V
VLCD-V0(LCD驱动电压)		0	4.7	5.3	V
Backlight LED (背光电压,电流)	側背光	0	5.0		V
		0	35		mA
	底背光	0	5.0		V
		0	120		mA

③ PIN CONFIGURATION/管脚说明

PIN	SYMBOL	DESCRIPTION(定义描述)/并口
1	LEDK	Power supply for backlight(+)(背光负极)
2	LEDA	Power supply for backlight(-)(背光正极)
3	V0	Operating voltage for LCD Driver(对比度调节)
4	VDD	Power positive(逻辑电压)
5	VSS	Power ground(地)
6	E	Enable single (使能,下降沿有效)
7	RS	H:Data(数据) L:Instruction(指令)
8	RW	H:Read data(读数据) L:Write data(写数据)
9	CS	Chip select active-low (片选,低电平有效)
10	RES	Reset Signal active-low (复位,低电平有效)
11	DB0	Data bus [0~7]. There state I/O common terminal. (数据线0-7)
12		
13		
14		
15		
16		
17		
18		

④ BLOCK DIAGRAM/原理电路



⑤ ELUCIDATION/补充备注