

# 2002A

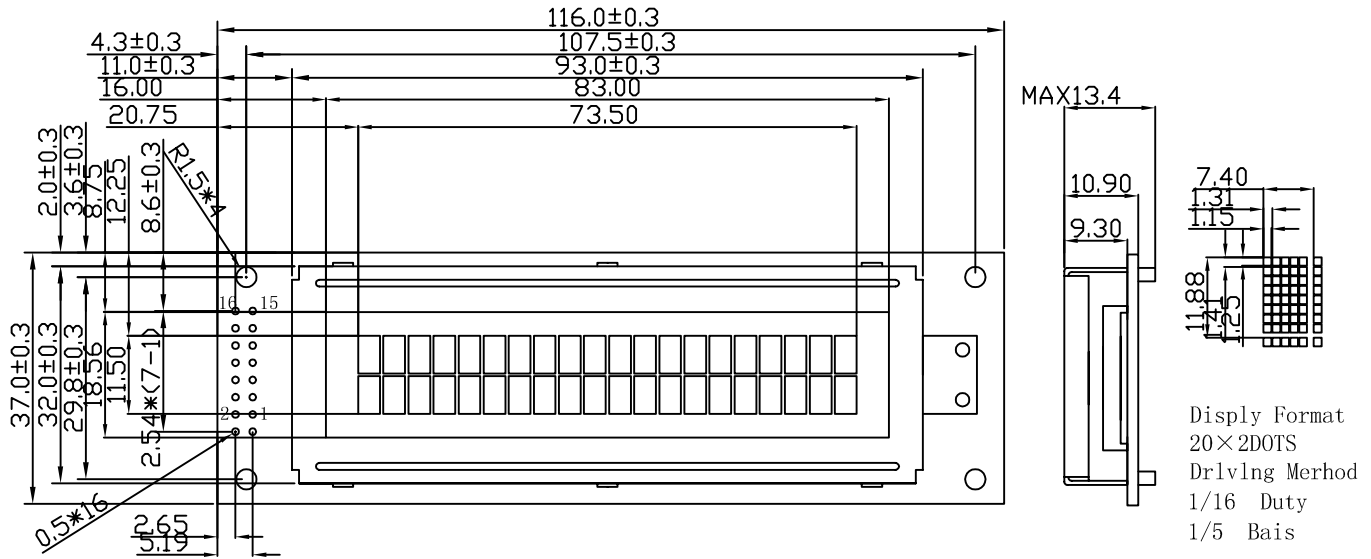
深圳市新显科技有限公司

电话: 0755-6139 3659

邮箱: szxslcd@163.com

地址: 深圳市宝安区西乡劳动路华丰第二工业区 8 栋

## ① PHYSICAL DIMENSION/外型尺寸

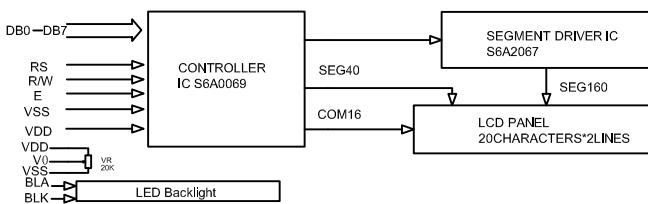


## ② FEATURES/特征

Feature(特征)	UNIT(单位)
LCD type & Colour(类型及颜色)	STN Yellow-green ;STN Blue
View Angle(视角)	6 o'clock
Operating temperature(工作温度)	-0°C ---- 50°C
Storage Temperature(贮存温度)	-10°C ---- 60°C
Control IC & Package(控制芯片及封装)	S6A0069 , COB
Weight(重量)	52 (With B/L) g
Backlight(背光类型)	LED

	Ta=25°C	MIN(最小)	TYP(典型)	MAX(最大)	UNIT(单位)
Supply current don't contain backlight(无背光时电流)	0		4		mA
VDD(电源)	-0.3		5.0		V
VLCD-V0(LCD驱动电压)	0		5.0		V
Backlight LED (背光电压,电流)	侧背光	0	5.0		V
	底背光	0	45		mA
			5.0		V
			150		mA

## ④ BLOCK DIAGRAM/原理电路



## ③ PIN CONFIGURATION/管脚说明

PIN	SYMBOL	DESCRIPTION(定义描述)
1	VSS	Power ground (地)
2	VDD	Power positive (逻辑电压)
3	V0	Operating voltage for LCD Driver (对比度调节)
4	RS	H:Data(数据) L:Instruction(指令)
5	R/W	H:Read data(读数据) L:Write data(写数据)
6	E	Enable single(使能, 下降沿有效)
7	DB0	Data bus [0~7]. These state I/O common terminal. (数据线0-7)
14	DB7	
15	BLA	Power supply for backlight(+)(背光正极)
16	BLK	Power supply for backlight(-)(背光负极)

## ⑤ ELUCIDATION/补充备注

--